



International APT Update

N.F. Coetzee Ph.D., P.E.
Dynatest Consulting Inc.

Topics

- TRB – Dr. B. Choubane
- COST347
- CAPT
- Other



Caltrans



 Dynatest®

CSIR

our future through science

EU COST 347 Forum

- Established 2000 - ran until 2004 – now becoming FEHRL group
- Objective:
 - To develop a European code of good practice to optimise the use of Accelerated Load Testing facilities and improve the application of results from these facilities



Caltrans



 Dynatest®

CSIR
our future through science

COST 347 – courtesy of Gregers Hildebrand (May 06)

- Draft final report Jan/Feb 06
- Stuck in EU bureaucracy awaiting approval and funds for printing
- Intended to use final report to initiate continued APT action
- Probably via FEHRL
- Not aware of any current large projects



CAPT – results of June 05 meeting

- FHWA to initiate Pooled Fund for CAPT by Sept. 2005 - \$12,500 p.a.
- Current operators – FHWA, Ca., Fl., Ks., Mn., NCAT, Tx., Va.
- Expect more states to get involved
- Planning to extend to international operators



Caltrans



 Dynatest®

CSIR
our future through science

CAPT – results of June 05 meeting

- ExCo – owners that participate at PF funding level
- Charter to be developed
- Each meeting will have a theme
- Will identify a continuing agenda
- Promote technology sharing, experimental design and collaboration
- ‘First’ meeting October, 2005 in NH



Caltrans



 Dynatest®

CSIR

our future through science

CAPT – results of Oct 05 meeting

- Collect latest APT Facility Information, implementation success stories and ongoing experiment descriptions
- Complete and post the Pooled Fund Prospectus
- Provide comments to Tom Harman on thoughts for next FHWA national experiment.



Caltrans



 Dynatest®

CSIR

our future through science

CAPT – results of Oct 05 meeting



Caltrans



 Dynatest®

CSIR
our future through science

- Link CAPT Member with WRI and Other SAFETEA-LU Earmarks
- Prepare a mini-road map for ways to integrate CAPT with recycled material applications.
- Develop a long term CAPT Road Map.
- Administrative Tasks

CAPT – May 06 attendees



Caltrans



 Dynatest®

CSIR
our future through science

- California, Florida, Illinois, Indiana, Kansas, Louisiana, Minnesota, New York, Ohio, Texas, FHWA, NCAT

CAPT – results of May 06 meeting



- **Mission**
- The Consortium of Accelerated Pavement Testers share and develop best practices and collaborate in experimental design, data acquisition, data sharing, and validation of findings.
- **Vision**
- The Consortium of Accelerated Pavement Testers owners and operators will improve and economize their operations and accelerate acceptance of pavement performance findings.

CAPT – results of May 06 meeting - Emphasis Areas

- APT / Test Track Facility and Equipment (including real time mounted instrumentation and testing capabilities)
- Standard Terminology and Test Procedures
- Construction Site Practices and Procedures
- Instrumentation of Pavement, Bases, Subgrades, etc,
- Pavement Condition Evaluation Techniques and Frequency



CAPT – results of May 06 meeting - Emphasis Areas

- Data Acquisition, Storage, and Sharing Methodologies
- Experimental Design and Loading Methodologies
- Theoretical Models for Pavement Response and Distress
- Performance Relationships (linkages to LTPP, RTL, etc.)
- Training, Education, Outreach, Economic Analyses



People's Republic of China



Caltrans



 **Dynatest®**

CSIR
our future through science

- Chang'An University, Xi'an. Contracted for HVS Mk VI
- Tongji University, Shanghai. Current bid.

CRRI - India

- RFP Sept 2005
- Technical bids opened Oct 2005
- HVS Mk IV



Caltrans



Mozambique

- World Bank Project involving APT
- UT – Jorge Prozzi
- MLS10



Caltrans



 Dynatest®

CSIR
our future through science



Caltrans

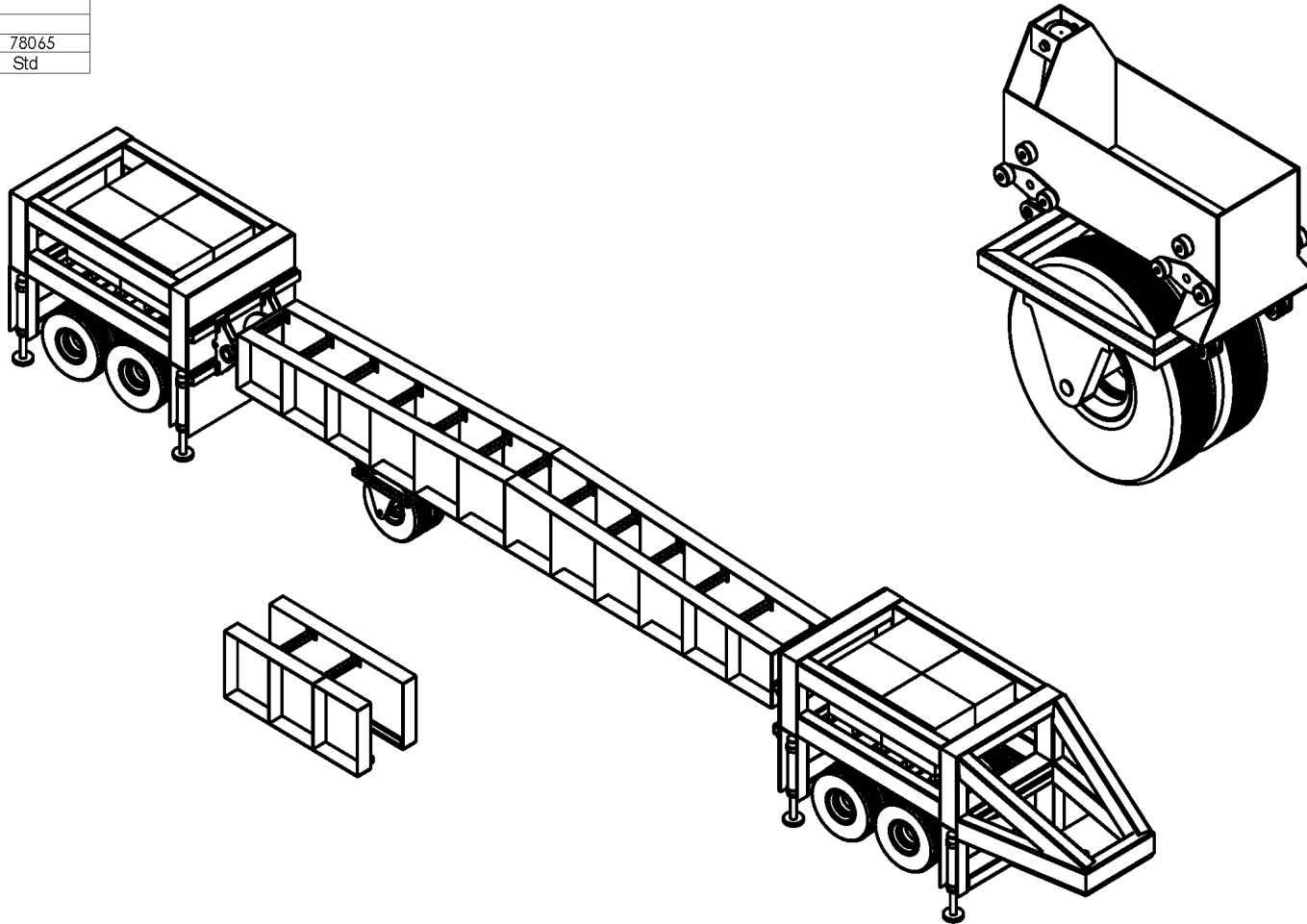


 Dynatest®


our future through science

HVS Mk VI concept

Qty	1 off
Labour	
Material	
Weight	78065
Coating	Std



				Dynatest		Dwn	H Kristen	10/12/05	Project	HVS Mk 6	PART No.
				China		Chd			Project No		Structure
REV.	DESCRIPTION	NAME	REF	DATE	CUSTOMER	DESCRIPTION	App	H K	DWG No.		REV 0

HVS Mk VI



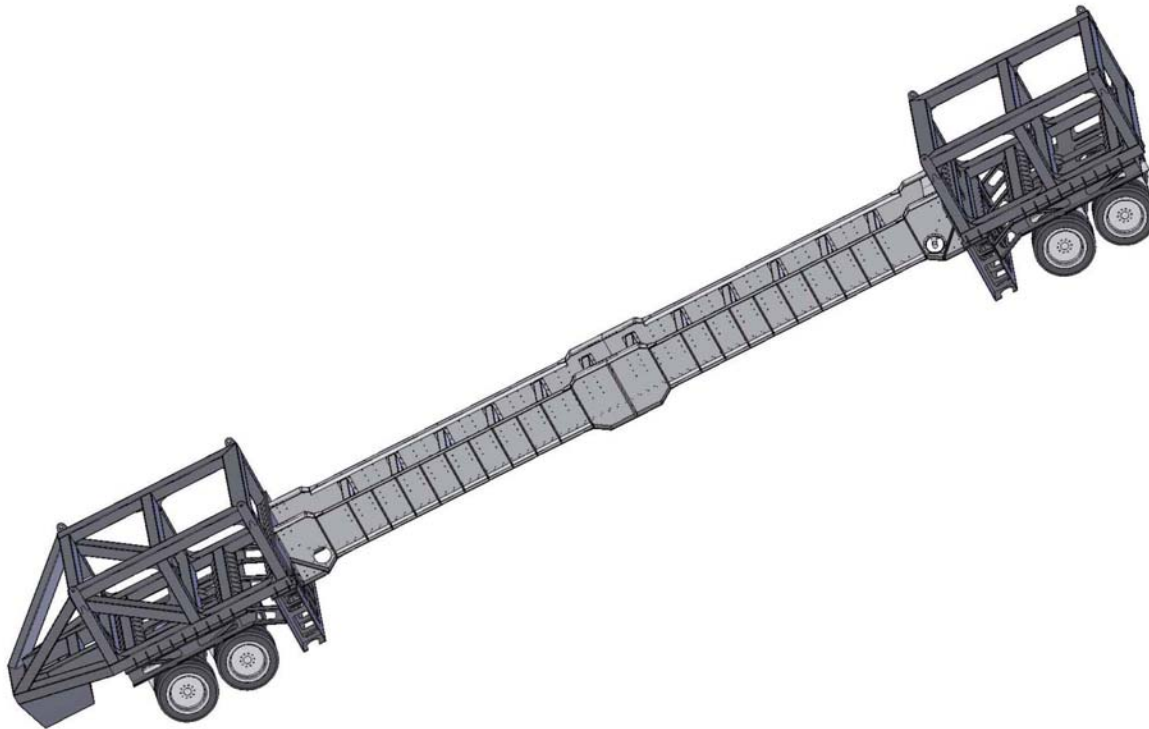
Caltrans



 Dynatest®

CSIR

our future through science



HVS Mk VI



Caltrans



 Dynatest®

CSIR
our future through science

